

ZFM-80US

Z-Wave Fixture Switch Module

High power all purpose retrofit Smart Switch Fixture Module



Typical Application:

- Garage door control
- Water heater control
- Retro fit wall switch

Key Features:

- 100% Z-Wave compliance.
- Manual or Z-Wave controlled on/off for broad variety of appliance.
- Isolated Relay Switch for loading up to 250VAC 15A / 30VDC 15A.
- Small form factor easily fit in to wall gang box.
- Able to trigger by external rocker paddle or button.
- Zero-cross sync control technology to greatly extend the switch life span.

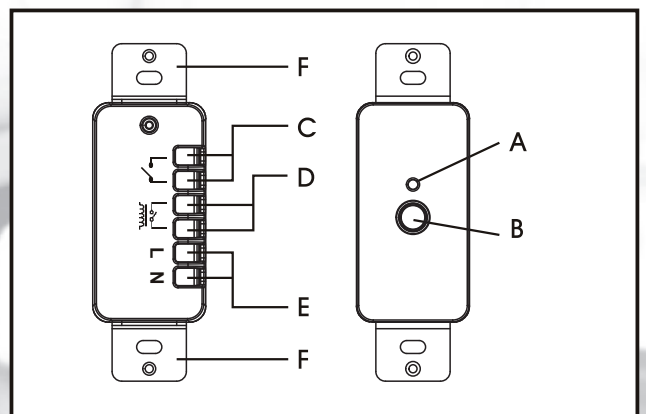
Specifications:

Operation Voltage: 120VAC
Input Frequency: 60 Hz
Output Load: 250VAC 15A / 30VDC 15A
Connection: Live, Neutral, 2-pin Relay Contact, 2-pin EXT Key
RF operating distance: Up to 100ft outdoor line of sight, in unobstructed environment

Configurations:

- | | | | |
|---|-------------------------|---|---|
| A | Status LED | D | Z-Wave controlled output (isolated relay) |
| B | ON/OFF/PROG Push button | E | AC input (L,N) |
| C | External switch | F | Removeable clip |

	Z-Wave Command Class	Controlled	Supported
1	Basic Command Class, version 1	No	Yes
2	Binary Switch Command Class, version 1	No	Yes
3	Version Command Class, version 1	No	Yes
4	All Switch Command Class, version 1	No	Yes
5	Association Command Class, version 2	No	Yes
6	Configuration Command Class, version 2	No	Yes
7	Manufacturer Specific Command Class, version 1	No	Yes



Specifications are subject to change without notice, due to continuing product improvement.

Ordering part number: F-BW8041US

Remotec

Website: <http://www.remotec.com.hk>